

MULTIFUNCTION MOTOR LOCK

ABLOY® EL754

SCANDINAVIAN RANGE



ABLOY® EL754 is a new generation motor lock for wooden and steel doors. It provides the best possible mechanical strength combined with highly advantageous electric features, e.g. data communication between lock case and control unit.

TECHNICAL DETAILS

Operating voltage	24 V DC \pm 15%, stab. 12 V AC (-10%/+50%) RMS
Typ. current	norm. 300mA idle 60mA max. 850mA
Temperature range	-20°C...+60°C
Bolt throw	rectangular bolt 20 mm, double action bolt 14 mm
Backset	50 mm
Forend	22 mm
Spindle	8 mm

FINISH

Chrome plated forend

CYLINDERS

- Scandinavian oval and round type; **ABLOY®** PROTEC, ASSA, RUKO, TrioVing or other.
- Finnish type; **ABLOY®** CLASSIC, **ABLOY®** PROTEC

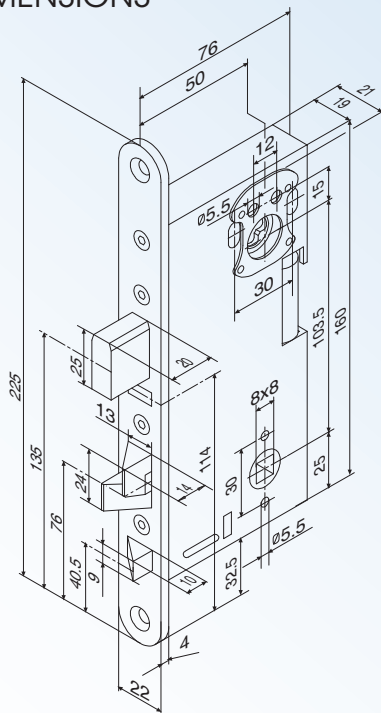
PACKAGE

Lock case, control unit, striker plate 4632 with door contact, connection plugs, fixing screws, lock case manual

MONITORING

- security bolt in
- security bolt out
- latch locked
- door status

DIMENSIONS



This document may not be used in the installation of a lock. Drilling and wiring diagrams and installation instructions are included in the lock case manual, which is included in each lock case package.

We reserve the right to make alterations to the products described in this leaflet.



www.abloy.com

Abloy Oy
Wahlforssinkatu 20
P.O.Box 108
FI-80101 JOENSUU
FINLAND
Tel. +358 20 599 2501
Fax +358 20 599 2209



APPLICATION

ABLOY® EL754 is suitable for exterior doors requiring high security. Typical applications are e.g. doors of commercial buildings, offices and industrial premises.

ABLOY® EL754 includes two bolts of which each individually can be electrically controlled. The lock has a double action bolt for quick and easy locking and is therefore especially well suited for doors that are frequently used in daytime. The high security dead bolt is ideal for night time locking requiring greater strength and security.

ABLOY® EL754 ideal for use with access control systems and can be controlled by a variety of electrical impulse generating equipment, i.e. card reader, keypad or timer. The lock is extremely suitable for use with automatic swing door operators.

Also available:

ABLOY® EL755 with rectangular bolt only

ABLOY® EL754 and **ABLOY®** EL755 lock cases and EA470 control unit are ASSA ABLOY Hi-O Technology TM certified products.

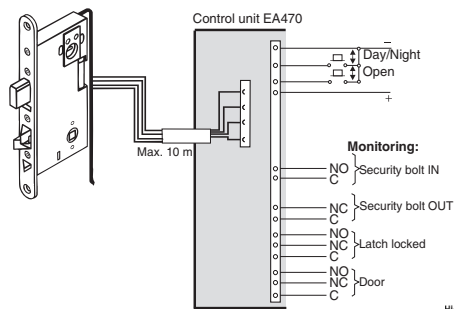
FUNCTION

ABLOY® EL754 has three ways of operation which can be chosen remote controlled:

1. Open mode
 - Dead bolt is withdrawn and double action bolt is not deadlocked.
2. Locked mode
 - Deadbolt is withdrawn all the time. Double action bolt is out and deadlocked.
 - After an opening impulse the deadlocking of double action bolt is released. After door use or delay double action bolt is deadlocked immediately by spring force through trigger bolt.
 - Handle use is possible on locked mode only.
3. Security mode
 - Dead bolt and double action bolt are out and deadlocked.
 - After an opening impulse the dead bolt is withdrawn and the deadlocking of double action bolt is released. After door use or delay double action the bolt is deadlocked immediately by spring force through trigger bolt. Dead bolt is thrown and deadlocked by motor and/or spring.

WIRING PRINCIPLE

EL754



CYLINDERS AND ACCESSORIES (Please order separately)

	ABLOY CLASSIC	ABLOY PROTEC	STRIKER PLATES	CABLES	LEAD COVERS
Single with thumbturn	CY001C CY016C*	CY001N CY016N* CY201N CY204N	4632 4633	EA216 (6 m) EA226 (10 m)	EA280 EA281
Double	CY002C	CY002N CY202N CY205N			

*) Compatible with emergency exit dome 6488